

# FEATURES

- HIGH RELIABILITY FOR LOW COST
- WIDE FREQUENCY RANGE
- EXCELLENT ATTENUATION BEHAVIOUR

## SAW-FILTER FOR TV-IF

NO.	MODEL	fp/fs (MHz)	SYSTEM	PACKAGE
1	<a href="#">F1026S</a>	38/31.5-32.5	D.G.I	TO-8
2	<a href="#">F1036C</a>	38/31.5-32.5	(B)D.G.I	TO-8
3	<a href="#">F1036F</a>	38/31.5-32	D.I	TO-8
4	<a href="#">F1036H</a>	38/31.5-32.5	D.I.B.G	TO-8
5	<a href="#">F1036FH</a>	38/31.5-32.5	D.I.B.G	SF-915
6	<a href="#">F1036V</a>	38/31.5	D.K	TO-8
7	<a href="#">F1036W</a>	38/31.5-32.5	D.I.B.G	TO-8
8	<a href="#">F1046</a>	38/31.5	D.K.B.G	SF-915
9	<a href="#">F1034</a>	38.9/33.4	B.G	TO-8
10	<a href="#">F1037C</a>	38.9/33.4	B.G	TO-8
11	<a href="#">F1814D</a>	38.9/33.4	B.G	TO-8
12	<a href="#">F1032</a>	45.75/41.25	M.N	TO-8
13	<a href="#">D45.75B</a>	45.75/41.25	M.N	TO-5
14	<a href="#">D45</a>	45.75/41.25	M.N	SF-915
15	<a href="#">F1806B</a>	38/31.5-32.5	D.G.I.M	T-4
16	<a href="#">F1806D</a>	38/31.5-32.5	D.G.I	T-4
17	<a href="#">F1806E</a>	38/31.5-32.5	B.G.D.I	T-4
18	<a href="#">D3832</a>	38/31.5-32.5	D.K.B.G.I	T-4
19	<a href="#">F5323</a>	38/31.5	D.K	SF-915
20	<a href="#">F1332L</a>	38/31.5	D.K	TO-5
21	<a href="#">F1333L</a>	38/31.5	D.K	TO-5
22	<a href="#">F1357L</a>	38/31.5-32.5	D.K.B.G	TO-5
23	<a href="#">F3826C</a>	38/31.5-32.0	D.K.I	TO-5
24	<a href="#">SF1311</a>	38.9/32.9	H.I	TO-8
25	<a href="#">K2957</a>	38/31-32.5	D.K.B.G.I	SF-915
26	<a href="#">D38S</a>	38/31.5	D.K	TO-8
27	<a href="#">D38V</a>	38/31.5	D.K	TO-8
28	<a href="#">D1952</a>	38/31.5	D.K.	SIP5L
29	<a href="#">D1954</a>	38/31.5	D.K	TO-8
30	<a href="#">D1954B</a>	38/31.5-32	D.K.I	TO-8
31	<a href="#">K3955</a>	38/31.5-32.5	D.K.B.G	TO-8
32	<a href="#">K9351</a>	38/31.5-32.5	D.K.B.G	S-6BA
33	<a href="#">K9352</a>	38/31.5-32.5	D.K.B.G	TO-8
34	<a href="#">K1905M</a>	38/31.5	D.K	SF-915
35	<a href="#">D2959</a>	38/31.5-32.5	D.K.B.G	TO-5
36	<a href="#">D2959B</a>	38/31.5-32.5	D.K.B.G	TO-8
37	<a href="#">K2950M</a>	38.9/32.4	D.K.B.G	SF-915
38	<a href="#">K2955M</a>	38.9/32.4-33.4	D.K.B.G	SF-915
39	<a href="#">K2960M</a>	38.9/32.4-33.4	D.K.B.G	SF-915
40	<a href="#">N38.9K</a>	38.9/32.4	B.G	TO-8
41	<a href="#">M3915M</a>	45.75/41.25	M.N	SF-915
42	<a href="#">M1865</a>	45.75/41.25	M.N	S-6BA
43	<a href="#">M1967</a>	45.75/41.25	M.N	S-6BA
44	<a href="#">K2972</a>	38/31.5-32.5	D.K.B.G	SF-915
45	<a href="#">K2972M</a>	38/31.5-32.5	D.K.B.G	TO-8
46	<a href="#">K2974</a>	38/31.5-32.5	D.K	TO-8
47	<a href="#">D38-8</a>	38/3.5-32.5	D.K	TO-5

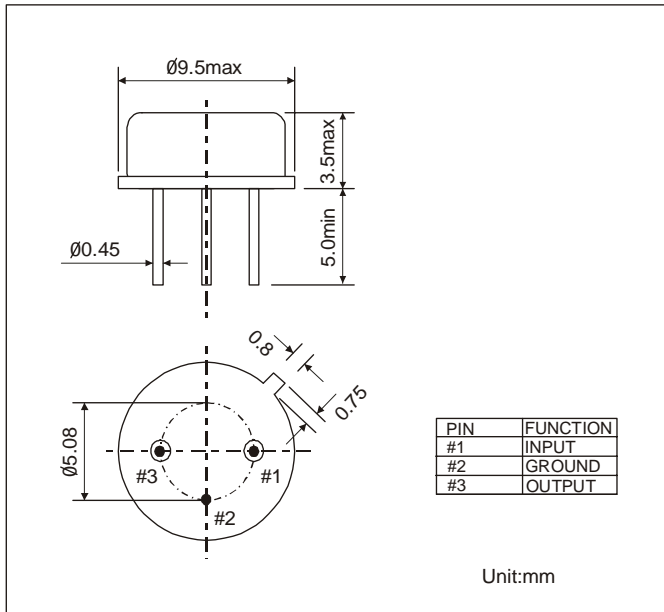
Other parameters and packages are available on request

NO.	MODEL	fp/fs (MHz)	SYSTEM	PACKAGE
48	<a href="#">D38-8</a>	38/3.5-32.5	D.K	TO-5
49	<a href="#">D38.9P</a>	38.9/33.4	B.G	SF-915
50	<a href="#">D2952B</a>	38.9/32.4-33.4	D.K.B.G	TO-8
51	<a href="#">F51LM</a>	58.75/54.25	M.N	TO-5
52	<a href="#">N38.9</a>	38.9/32.9-33.4	B.G	TO-5
53	<a href="#">N45.75S</a>	47.75/41.25	M.N	TO-5
54	<a href="#">D36.9MB</a>	36.875/31.375	B.G	TO-5
55	<a href="#">D39.5</a>	39.5/33.5	H.I	TO-5
56	<a href="#">D58MM</a>	58.75/54.25	M.N	TO-5
57	<a href="#">D58</a>	58.75/54.25	M.N	TO-8
58	<a href="#">D58M</a>	58.75/54.25	M.N	S-6BA
59	<a href="#">F1032B</a>	45.75/41.25	M.N	TO-8
60	<a href="#">N38T14</a>	38/31.5	D.K	TO-8
61	<a href="#">N38-76</a>	38/31.5	D.K	TO-8
62	<a href="#">N38-78</a>	38/31.5	D.K	TO-8
63	<a href="#">LBN38-84</a>	38/31.5	D.K	TO-8
64	<a href="#">LBN38-86</a>	38/31.5-32.5	D.K	TO-8
65	<a href="#">X6966M</a>	38/31.5	D.K	SF-915
66	<a href="#">K2956</a>	38/31.5-32.5	D.K	TO-8
67	<a href="#">M1958</a>	45.75/41.25	M.N	TO-8
68	<a href="#">K6283K</a>	38/31.5-32.5	D.K.M.N	T-4
69	<a href="#">K3760K</a>	38/31.5-32.5	D.K.M.N	T-4
70	<a href="#">K3865N</a>	38/31.5-32.5	D.K.B.G	T-4
71	<a href="#">K6265K</a>	38/31.5-32.5	D.K.M.N	DIP10K
72	<a href="#">K6268K</a>	38/31.5-32.5	D.K.M.N	DIP10K
73	<a href="#">K3351K</a>	38/31.5-32.5	D.K.M.N	DIP10K
74	<a href="#">D2959J</a>	38/31.5-32.5	D.K	TO-8
75	<a href="#">K2559J</a>	38/31.5-32.5	D.K	TO-8
76	<a href="#">G1872M</a>	38.9/32.4	B.G	SF-915
77	<a href="#">K2966M</a>	38.9/32.4-33.4	B.G	S-6BA
78	<a href="#">F1339A</a>	38.9/32.4-33.4	B.G	TO-5
79	<a href="#">D45U</a>	45.75/41.25	M.N	TO-5
80	<a href="#">F812GSL</a>	45.75	N	S-6B
81	<a href="#">F811GSL</a>	58.75	N	S-6B
82	<a href="#">N3801</a>	38/31.5	D.K	TO-5
83	<a href="#">N3801A</a>	38/31.5	D.K	TO-5
84	<a href="#">N3802</a>	38/31.5	D.K	TO-5
85	<a href="#">N3803</a>	38/31.5	D.K	TO-5
86	<a href="#">N3804</a>	38/31.5	D.K	TO-5
87	<a href="#">N38.9</a>	38.9/32.4-33.4	B.G	TO-5
88	<a href="#">N38.9A</a>	38.9/32.4	B.G	TO-5
89	<a href="#">N38.9</a>	38.9/32.9	H.I	TO-5
90	<a href="#">N39.5</a>	39.5/33.5	H.I	TO-5
91	<a href="#">N40.2</a>	40.2/34.7	B.G	TO-5
92	<a href="#">N45.75</a>	45.75/41.25	M.N	TO-5
93	<a href="#">N45.75A</a>	45.75/41.25	M.N	TO-5
94	<a href="#">N45.75B</a>	45.75/41.25	M.N	TO-5

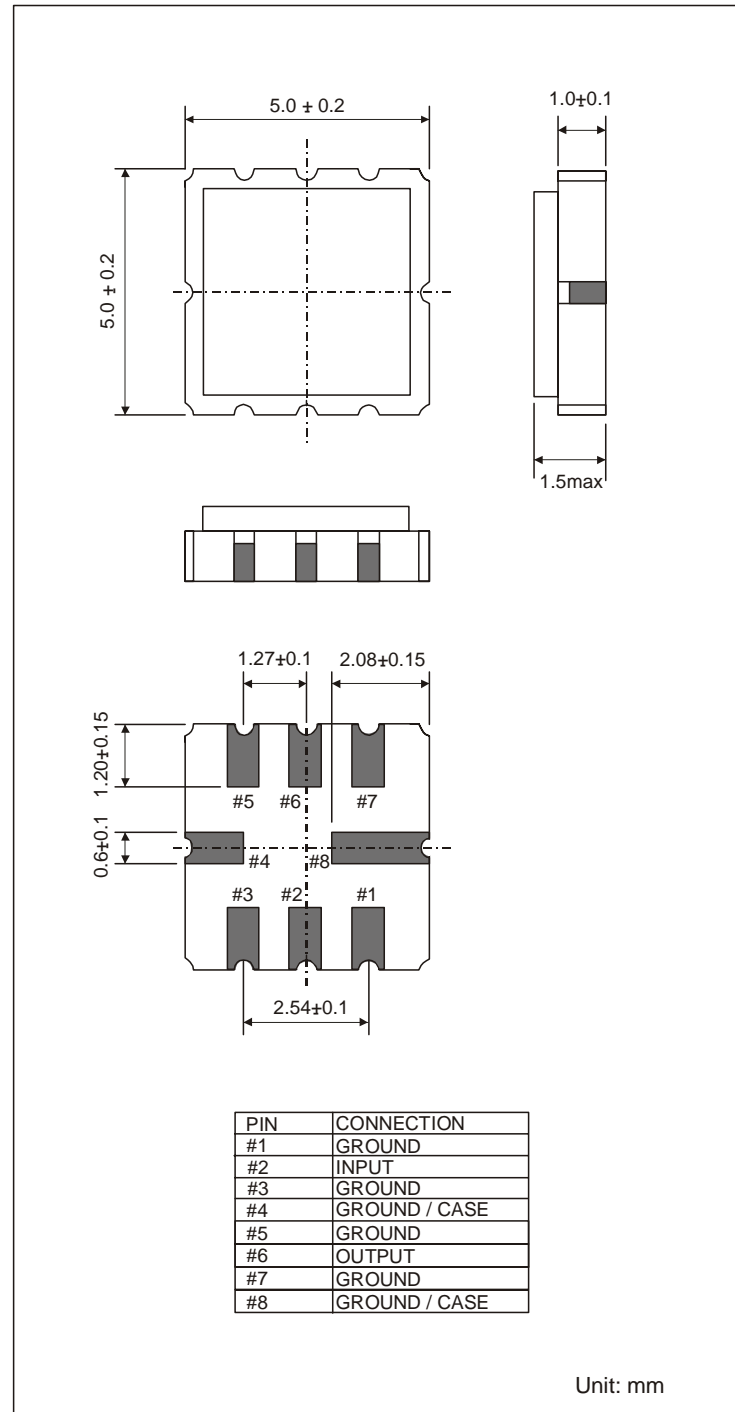
Other parameters and packages are available on request

# PACKAGE DRAWINGS

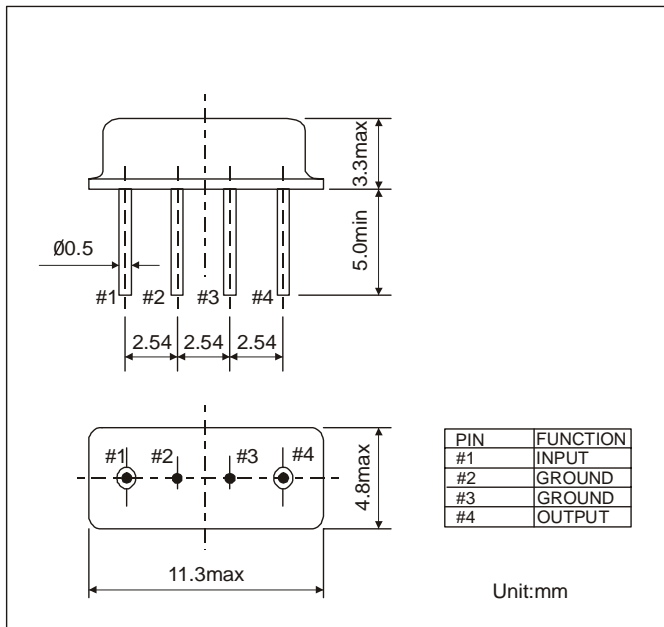
## TO-39



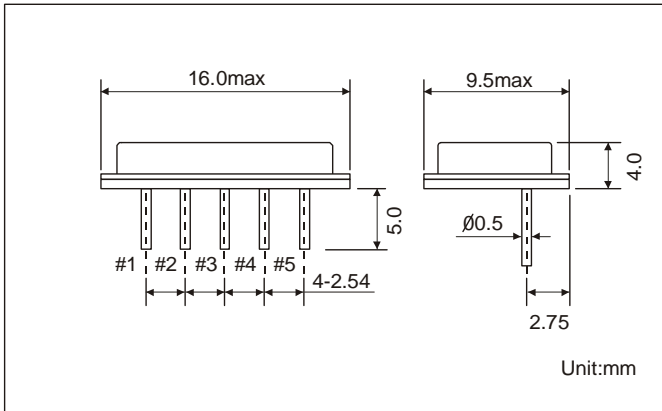
## 5 x 5 mm SMD



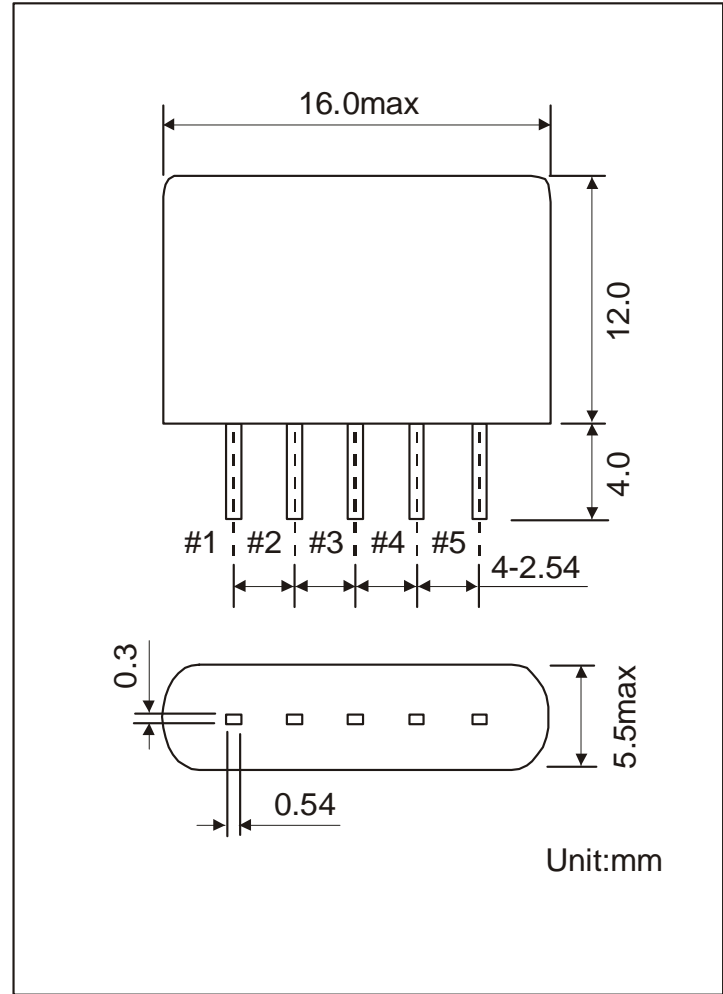
## F-11



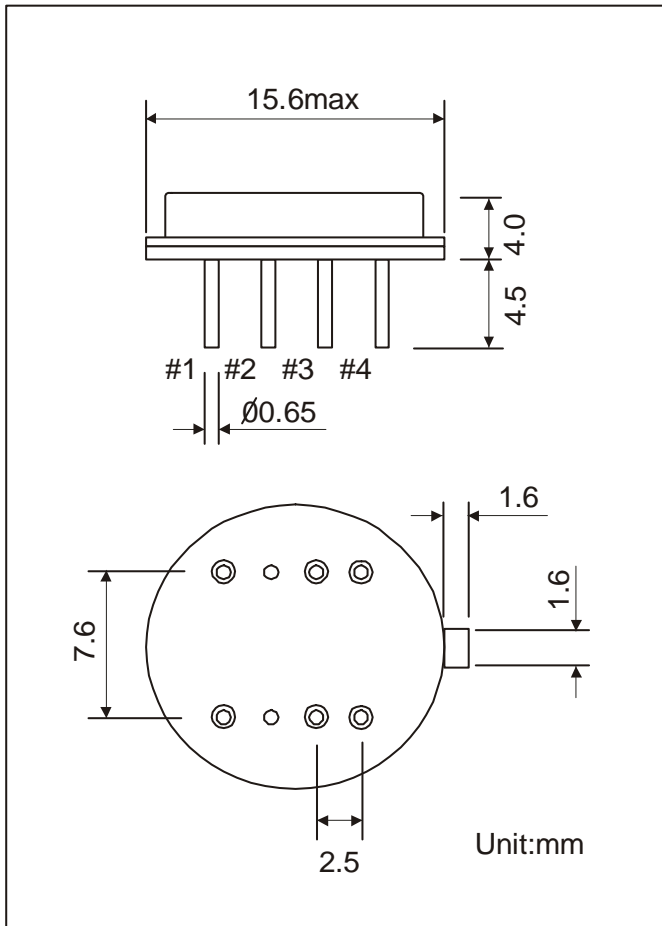
**SF-915**



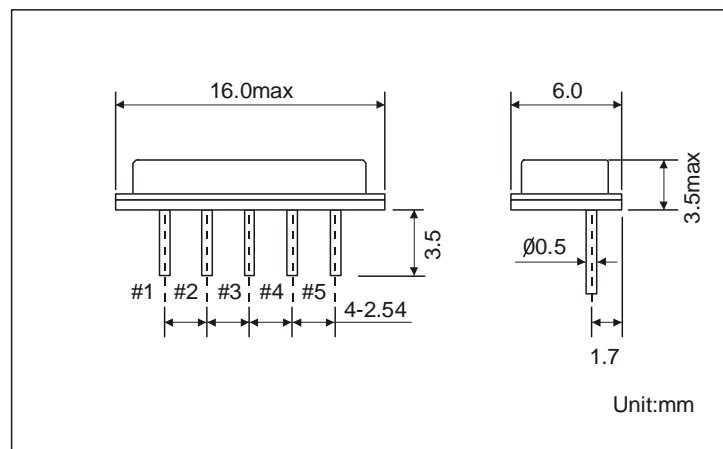
**SIP5L**



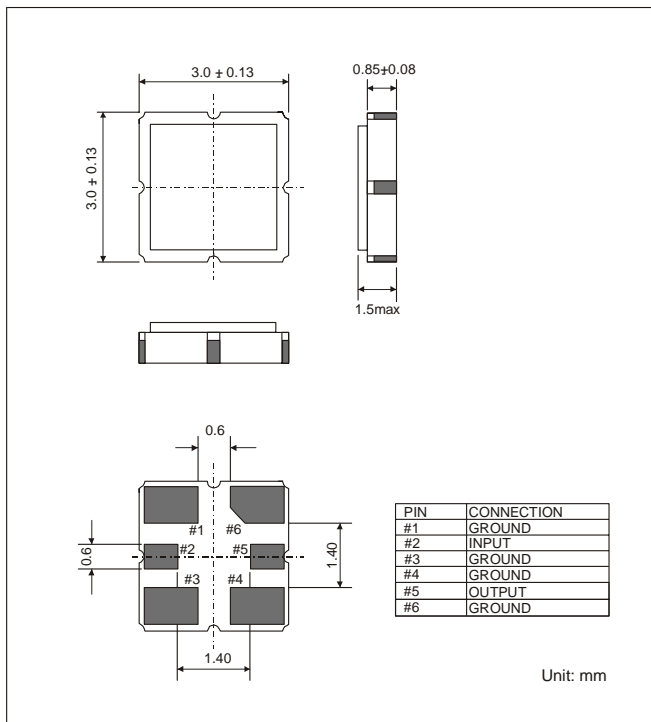
**T-4**



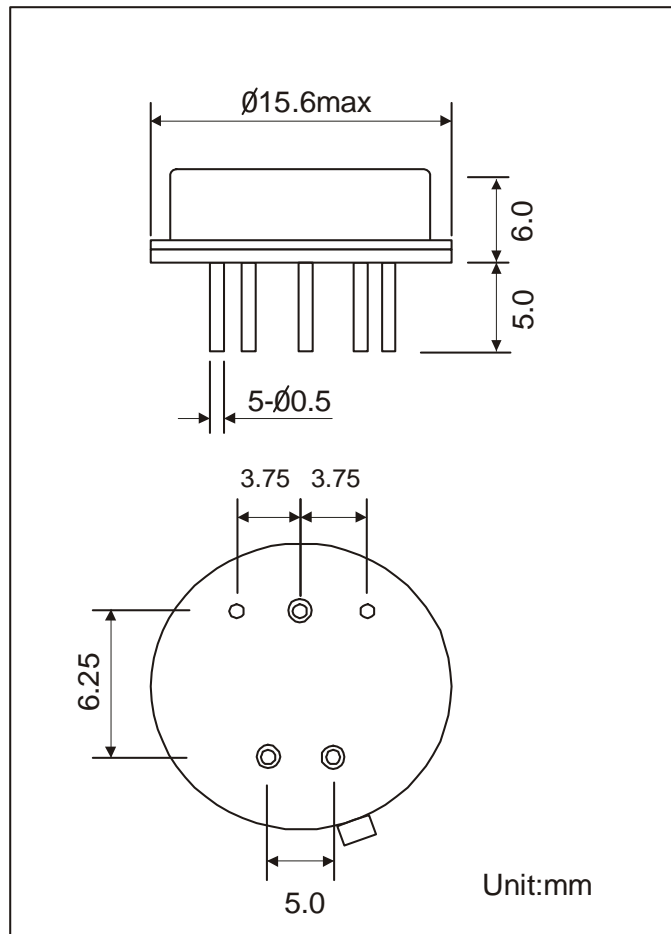
**S-6BA**



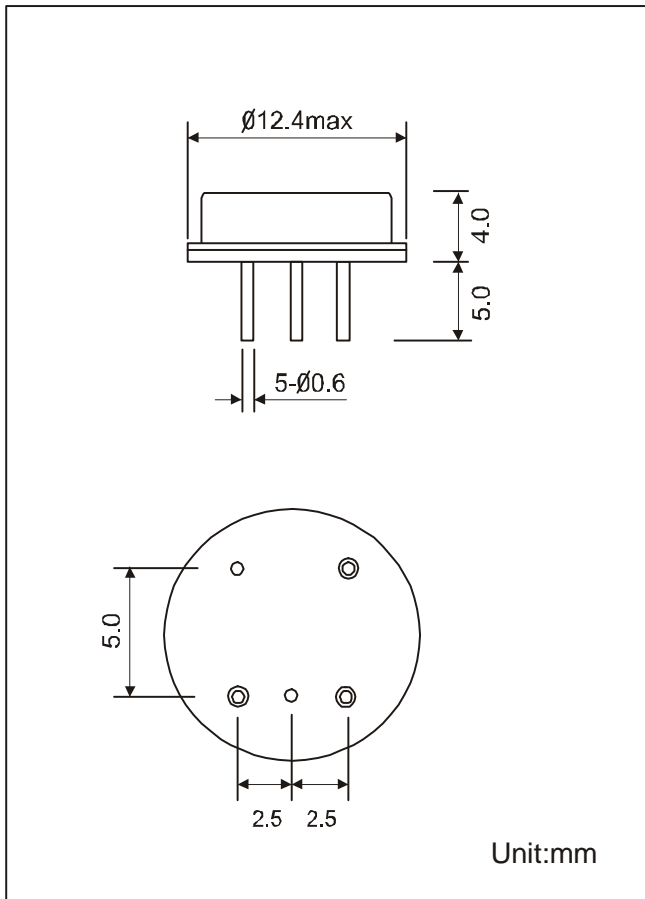
### 3 x 3 mm SMD



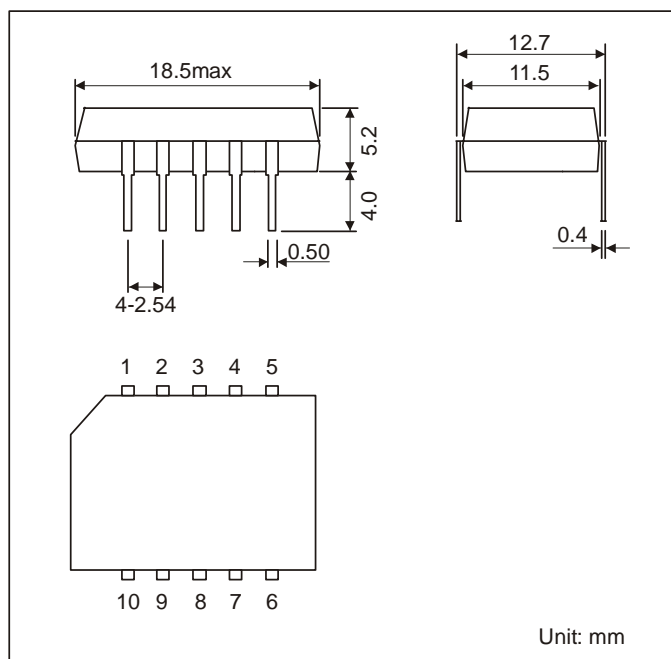
### TO-8



### TO-5



### DIP10K



**7 x 5 mm SMD**

