



Representative photograph, actual product appearance may vary.

Due to regional agency approval requirements, some products may not be available in your area.

Please contact your regional Honeywell office regarding your product of choice.

LLE101000

LLE Series Liquid Level Sensor with Polysulphone housing; Enhanced; Type 1; -25°C to 80°C; 250 mm lead wires; Nitrile rubber 'O' ring;

Features

- Solid state reliability - no moving parts
- Miniature size
- Microprocessor compatible
- Very large choice of sensing media
- Fast response
- Cost effective
- Polysulphone sensor housing suitable for hygiene applications
- Options available for internal or external mounting

Typical Applications

- Automotive on board
- Home appliances
- Food and beverage processing
- Compressors
- Machine tools
- Vending machines

Description

The LLE series of enhanced liquid level sensor uses a photo-transistor trigger which provides a digital output that denotes the presence or absence of liquid. This series incorporates reverse polarity, over voltage, short circuit and transient protection.



LLE101000

LLE Series Liquid Level Sensor with Polysulphone housing; Enhanced; Type 1; -25°C to 80°C; 250 mm lead wires; Nitrile rubber 'O' ring;

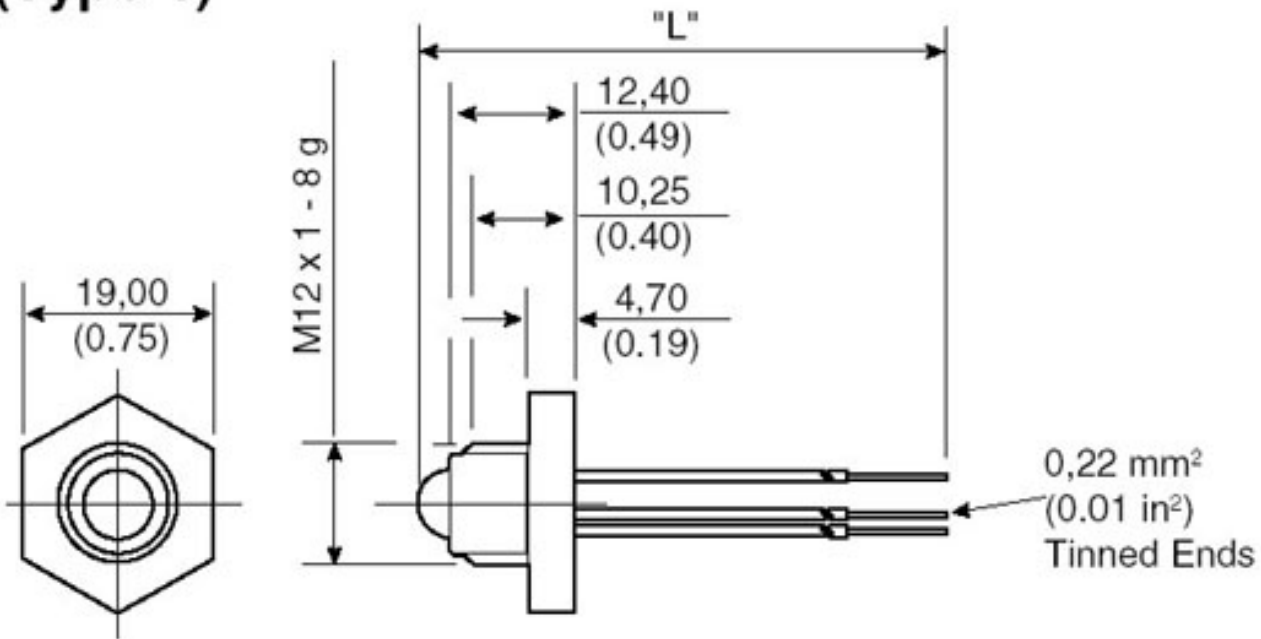
Product Specifications	
Sensor Type	Enhanced Sensor
Operating Temperature Range	-25 °C to 80 °C [-13 °F to 176 °F]
Storage Temperature Range	-30 °C to 85 °C [-22 °F to 185 °F]
Housing Material	Polysulphone
Housing Type	Type 1
Supply Voltage	5.0 Vdc to 12.0 Vdc
Output Type	High in air
Application Type	Variable
Termination Type	250 mm lead wires
Seal Washer	Nitrile rubber
Stainless-Steel Nut	No
Dome Dimension	3,5 mm radius
Thread Dimension	M12 x 1 x 8g
Hex Dimension	19 mm [0.75 in]
Pressure Range	0 to 5 bar
Supply Current	15 mA nom.
Output Sink Current	10 mA max. @ 25 °C
Repeatability	1 mm [0.04 in]
Hysteresis (dependant on liquid)	2 mm [0.08 in]
Response Time - Rising Liquid	50 µs
Response Time - Falling Liquid	1 s max. (in ethanol)
Availability	Global
Accessories	41001458001W
Comment	Enhanced device incorporating circuit protection.
UNSPSC Code	411121
UNSPSC Commodity	411121 Transducers
Series Name	LLE Series

Honeywell

LLE101000

LLE Series Liquid Level Sensor with Polysulphone housing; Enhanced; Type 1; -25°C to 80°C; 250 mm lead wires; Nitrile rubber 'O' ring;

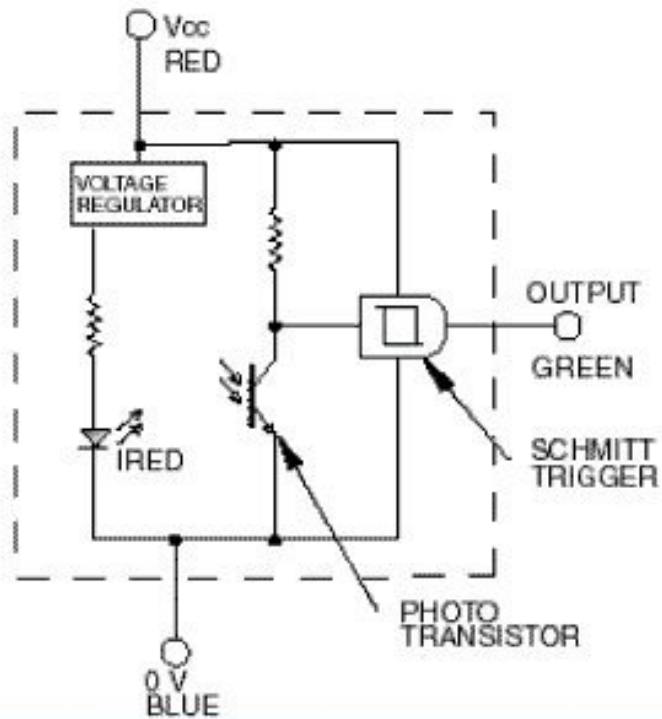
LLE101000 (Type 1)



Honeywell

LLE101000

LLE Series Liquid Level Sensor with Polysulphone housing; Enhanced; Type 1; -25°C to 80°C; 250 mm lead wires; Nitrile rubber 'O' ring;



Honeywell

LLE101000

LLE Series Liquid Level Sensor with Polysulphone housing; Enhanced; Type 1; -25°C to 80°C; 250 mm lead wires; Nitrile rubber 'O' ring;

⚠ WARNING

PERSONAL INJURY

DO NOT USE these products as safety or emergency stop devices, or in any other application where failure of the product could result in personal injury.

Failure to comply with these instructions could result in death or serious injury.

 **WARNING**

MISUSE OF DOCUMENTATION

- The information presented in this product sheet (or catalog) is for reference only. DO NOT USE this document as product installation information.
- Complete installation, operation and maintenance information is provided in the instructions supplied with each product.

Failure to comply with these instructions could result in death or serious injury.

© Copyright Honeywell Inc. 1998-2004 All rights reserved.